

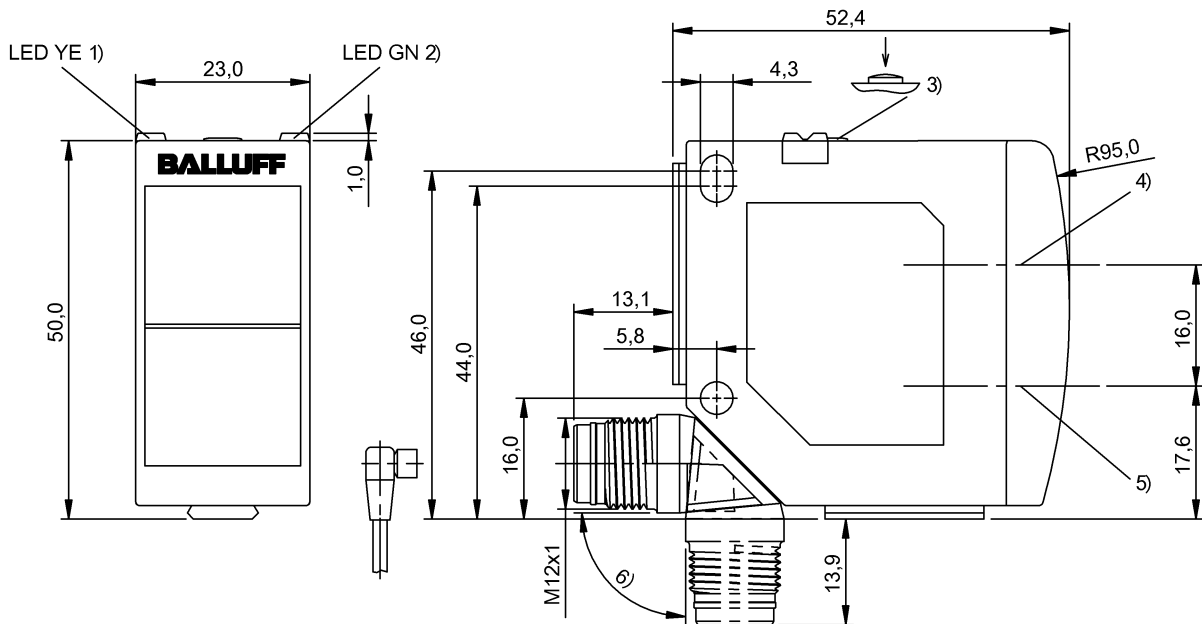
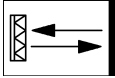
BOS 23K-PU-RR10-S4
Ordering code: BOS016P

Retroreflective sensor
 Series 23K
 Working Range: 0...14 mm

PNP (1x), antivalent
 LED, red light
 DC, direct current

BALLUFF

sensors worldwide



1) Output function/error, 2) Oper. voltage/adjustor mode, 3) Sn, Light-on/Dark-on, 4) Optical axis receiver, 5) Optical axis emitter, 6) 270° rotatable

Characteristic data

Operating voltage	10...30 V DC
Connection	Connector, M12x1-S04
Switching freq. f max.	600 Hz
Indicator	Setting NO/NC - LED GN, bl.
Input function	Key disable on/off/Same function as key
Setting	Light-on/dark-on, Switching distance (Sn)
Adjuster	Key (1x)
Reference reflector	BOS R-1
Short-circuit protected	yes
Protected against polarity reversal	yes
Enclosure Type per IEC 60529	IP6x
Enclosure Type DIN 40050	IPx9K
Protection class	II

Optical data

Principle of optical operation	Retro-reflective sensor
Switching function, optical	NO/NC: dark-on/light-on
Light spot size, typical	300 mm x 300 mm at 12 m
Light type	LED, red light
Wavelength	640 nm

Ambient light max.	5,000 Lux
Polarising filter	yes
LED group per IEC 62471	Exempt group

Electrical data

Rated operating voltage Ue DC	24,0 V
Effective operating current Ie	100 mA
Rated insulation voltage Ui	75 V DC
Ripple max. (% of Ue)	10
Switching output	PNP (1x)
Switching function	NO/NC
Turn-off delay toff max.	0,83 ms
Turn-on delay ton max.	0,83 ms
No-load current max. Io at Ue	30 mA
Voltage drop Ud max. (at Ie)	2,0 V

Mechanical data

Eff. switching distance Sr	14.000 mm
Operating range Ro	0...14 m
Beam characteristic	Divergent
Range Sn	Sn = 14 m, adjustable
Blind zone	300 mm
Connector type	M12x1-S04
Sensing surface material	PMMA

BOS 23K-PU-RR10-S4
Ordering code: BOS016P

Retroreflective sensor
Series 23K
Working Range: 0...14 mm

Housing material PC-ABS
Mounting type Screw M4
Design Block, rotatable connection
Ambient temperature -20...60 °C

Basic data

Basic standard IEC 60947-5-2

PNP (1x), antivalent
LED, red light
DC, direct current

BALLUFF

sensors worldwide

The sensor is functional again after the overload has been eliminated.
Teach-in also possible when object is in motion.
Operating object (test target): Gray card, 200 x 200, 90 % remission, lateral approach, direction of movement vertical to plane of lens axes.
For additional information, refer to user's guide.
Order accessories separately.
Do not press key using a pointed tool.

