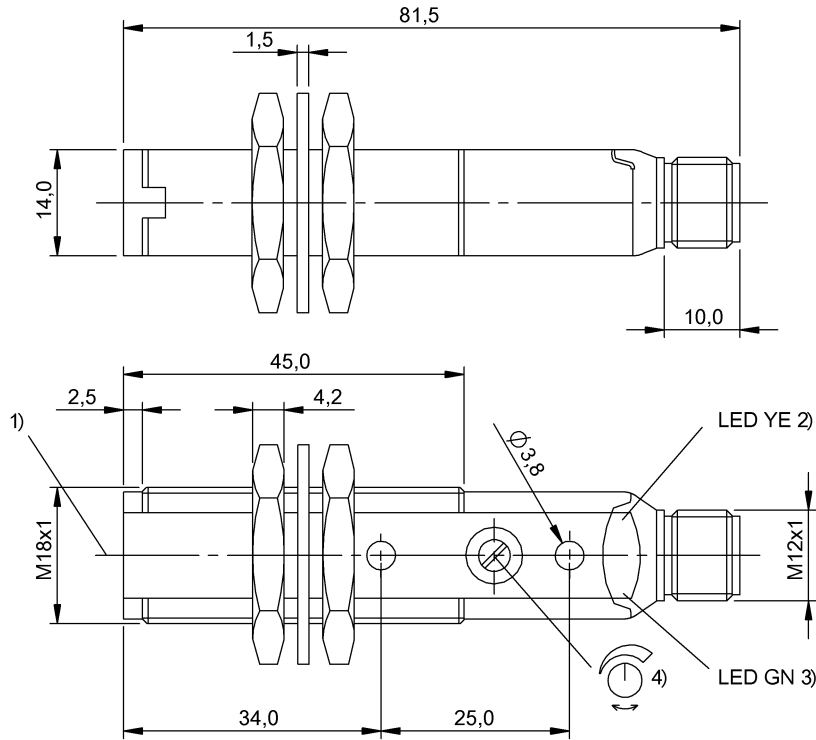
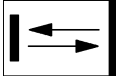


BOS 18KF-PA-1PE-S4-C
Ordering code: BOS00K1

Diffuse sensor
 Series 18KF
 Working Range: 0...700 mm

PNP (2x), NO-NC (pins 4-2)
 Infrared
 DC, direct current

BALLUFF
sensors worldwide



1) Optical axis, 2) Output function, 3) Stability, 4) Sn

Characteristic data

Operating voltage	10...30 V DC
Connection	Connector, M12x1-S04
Switching freq. f max.	1000 Hz
Indicator	Stability - LED GN
Setting	Switching distance (Sn)
Adjuster	Potentiometer 270° (1x)
Short-circuit protected	yes
Protected against polarity reversal	yes
Enclosure Type per IEC 60529	IP67
Protection class	II

Optical data

Principle of optical operation	Light scanner, energetic
Switching function, optical	NO light-on - NC dark-on
Light type	Infrared
Wavelength	880 nm
Ambient light max.	5,000 Lux

Electrical data

Rated operating voltage Ue DC	24 V
Effective operating current Ie	100 mA
Rated insulation voltage Ui	75 V DC

Ripple max. (% of Ue)	8
Switching output	PNP (2x)
Switching function	NO-NC (pins 4-2)
Turn-off delay toff max.	0,5 ms
Turn-on delay ton max.	0,5 ms
No-load current max. Io at Ue	35 mA
Voltage drop Ud max. (at Ie)	2 V

Mechanical data

Eff. switching distance Sr	700 mm
Capture range Sd	0...700 mm
Beam characteristic	Divergent
Range Sn	Sn = 700 mm, adjustable
Minimum operating distance	0 mm
Connector type	M12x1-S04
Sensing surface material	PMMA
Housing material	PBT
Mounting type	Nut M18x1 Screw M3
Design	Flat cylinder, straight optics
Ambient temperature	-25...55 °C
Tightening torque	1.5 Nm

BOS 18KF-PA-1PE-S4-C
Ordering code: BOS00K1

Diffuse sensor
Series 18KF
Working Range: 0...700 mm

PNP (2x), NO-NC (pins 4-2)
Infrared
DC, direct current

BALLUFF
sensors worldwide

Basic data

Basic standard IEC 60947-5-2
The sensor is functional again after the overload has been eliminated.
Reference object (target): Gray card, 200 x 200, 90 % remission, axial approach.
For additional information, refer to user's guide.
Order accessories separately.

