

1) Reference edge 2) Sealing ring 3) Function indicator FD/FE/LL

- Mech. multiple position
- Snap contact
- Roller bearing



General attributes

Additional features
 Approvals / Conformity
 DIN switch
 Enclosure Type per IEC 60529
 Function indicator

Special wiring
 Special switch
 CE
 DIN 43697
 IP67
 1st pos.: FD - 6...60 V
 2nd pos.: FD - 6...60 V
 3rd pos.: FD - 6...60 V
 4th pos.: FD - 6...60 V
 5th pos.: FD - 6...60 V
 6th pos.: FD - 6...60 V

Electrical attributes

Continuous current
 Effective operating voltage U_e

1st pos.: 6 A
 2nd pos.: 6 A
 3rd pos.: 6 A
 4th pos.: 6 A
 5th pos.: 6 A
 6th pos.: 6 A
 1st pos.: 6...60 V
 2nd pos.: 6...60 V
 3rd pos.: 6...60 V
 4th pos.: 6...60 V
 5th pos.: 6...60 V
 6th pos.: 6...60 V
 Double-interrupting
 Galvanically isolated
 One NO and one NC
 Dual output function

Switching function mech.

Mechanical attributes

Ambient temperature T_a max.
 Ambient temperature T_a min.
 Approach direction
 Approach speed

85 °C
 -5 °C
 Lengthwise, par. to mtg. surf.
 6th pos.: 120 m/min
 5th pos.: 120 m/min
 4th pos.: 120 m/min
 3rd pos.: 120 m/min
 2nd pos.: 120 m/min
 1st pos.: 120 m/min

Connection

1. screw terminal
 2. screw terminal
 3. screw terminal
 4. screw terminal
 5. screw terminal
 6. screw terminal
 Special connector 26-pole

Connector

Contact material

4th pos.: silver, gold plated
 5th pos.: silver, gold plated
 6th pos.: silver, gold plated
 3rd pos.: silver, gold plated
 2nd pos.: silver, gold plated
 1st pos.: silver, gold plated

Dist. cam to reference edge

1st pos.: 5 - 0.5 mm
 2nd pos.: 5 - 0.5 mm
 3rd pos.: 5 - 0.5 mm
 4th pos.: 5 - 0.5 mm
 5th pos.: 5 - 0.5 mm
 6th pos.: 5 - 0.5 mm
 2 threaded exit M25

Flange feedthrough

Housing finish
 Housing material
 Mech. installation condition
 Mechanical life expectancy

Eloxal
 Aluminum
 Vertical
 1st pos.: 30 mil. operations
 2nd pos.: 30 mil. operations
 3rd pos.: 30 mil. operations
 4th pos.: 30 mil. operations
 6th pos.: 30 mil. operations
 5th pos.: 30 mil. operations
 6 ST

No. of switch positions

Operating principle

1st pos.: mechanical
 2nd pos.: mechanical
 3rd pos.: mechanical
 6th pos.: mechanical
 5th pos.: mechanical
 4th pos.: mechanical
 No

Plunger block

Plunger material

6th pos.: stainless steel
 5th pos.: stainless steel
 4th pos.: stainless steel
 3rd pos.: stainless steel
 1st pos.: stainless steel
 2nd pos.: stainless steel

Plunger style

1st pos.: Roller bearing
 6th pos.: Roller bearing
 5th pos.: Roller bearing
 4th pos.: Roller bearing
 3rd pos.: Roller bearing
 2nd pos.: Roller bearing

Style

Switching element

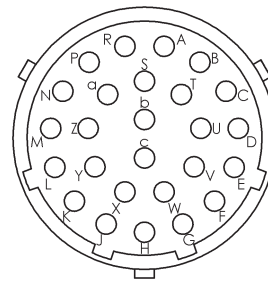
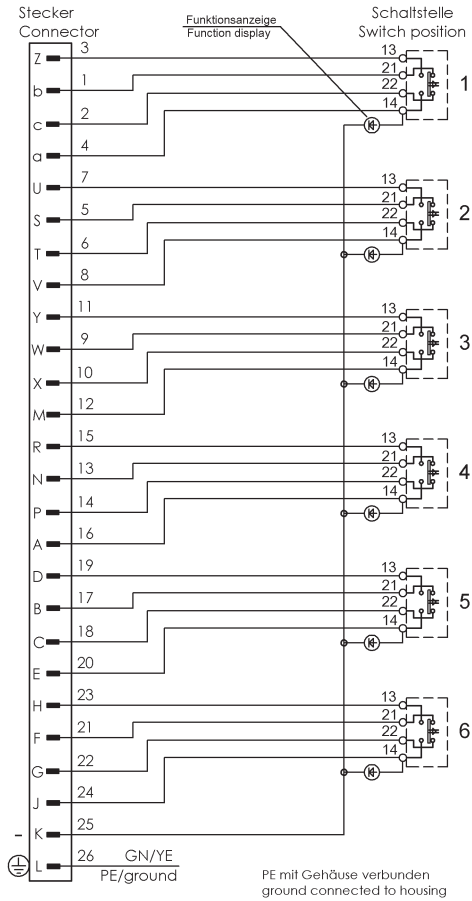
100
 1st pos.: BSE 30.0
 2nd pos.: BSE 30.0
 4th pos.: BSE 30.0
 5th pos.: BSE 30.0
 6th pos.: BSE 30.0
 3rd pos.: BSE 30.0

Switching operation force	6th pos.: min. 20 N
	5th pos.: min. 20 N
	4th pos.: min. 20 N
	3rd pos.: min. 20 N
	2nd pos.: min. 20 N
	1st pos.: min. 20 N
Switching rate	6th pos.: max. 300/min
	5th pos.: max. 300/min
	4th pos.: max. 300/min
	2nd pos.: max. 300/min
	3rd pos.: max. 300/min
	1st pos.: max. 300/min

Type	Mech. multiple position
Version	Snap contact

Additional text

The connector / pinout is customer specified. It does not conform with any known technical standard.



View of male side