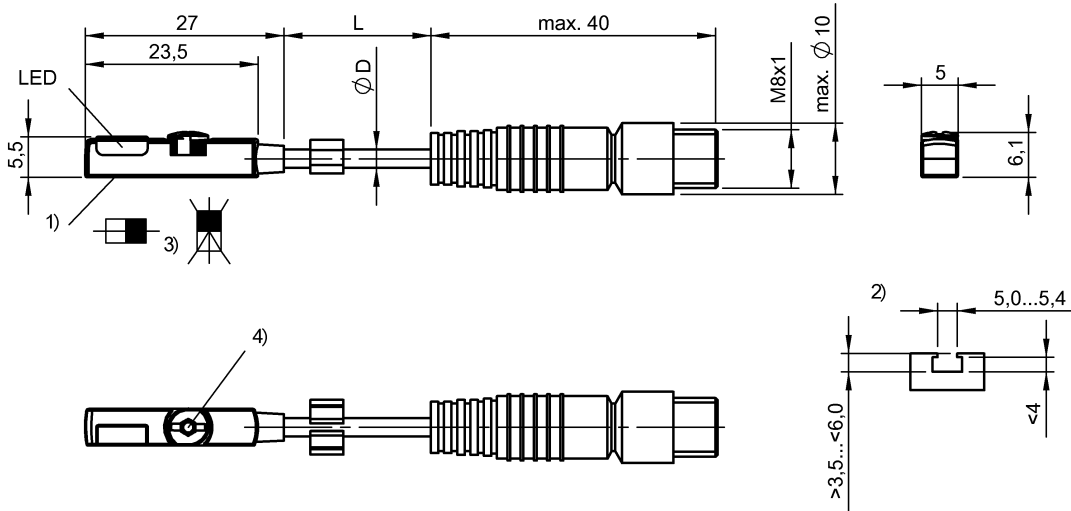


BMF 235K-PS-C-2A-SA2-S49-00,3 BMF00C4



1) Sensing surface 2) see remarks 3) see remarks 4) see remarks



Display/Operation

Function indicator yes

Electrical connection

Cable diameter D 2.50 mm
Cable length 0.3 m
Connection M8x1-Connector, 3-pole
Connection type Cable with connector, 0.30 m, PUR
Polarity reversal protected yes
Short-circuit protection yes

Electrical data

Assured switching field strength H_a 2 kA/m
Hysteresis H max. (% of H_n) 45 %
Load capacitance max. at U_e 1 μ F
MTTF (40 °C) 355 a
No-load current I_o max., undamped 3 mA
Operating voltage U_b 10...30 VDC
Output resistance R_a Open drain
Pollution degree 3
Protected against miswiring no
Rated insulation voltage U_i 75 V DC
Rated operating current I_e DC 200 mA
Rated operating voltage U_e DC 24 V
Rated short circuit current 100 A
Rated switch field strength H_n 1.2 kA/m
Residual current I_r max. 80 μ A
Switching frequency 3000 Hz
Turn-off delay t_{off} max. 0.1 ms
Turn-on delay t_{on} max. 0.1 ms

Utilization category DC -13
Voltage drop static max. 2.5 V

Environmental conditions

Ambient temperature -25...85 °C
Protection type IEC 60529 IP67

Functional safety

Diagnostic coverage 0 %
Functional safety no
Mission Time 20 a

General data

Approval/Conformity cULus CE
Basic standard IEC 60947-5-2
Scope of delivery Cable clip for T-slot
Trademark Global

Material

Housing material PA, PA 12
Material jacket PUR
Material sensing surface PU

Mechanical data

Dimension 23.5 x 5 x 5.5 mm
Tightening torque 0.4 Nm

BMF 235K-PS-C-2A-SA2-S49-00,3 BMF00C4

Output/Interface

Switching output PNP Normally open (NO)

Range/Distance

Ripple max. (% of Ue) 15 %
Temp. drift max. (% of Hn) 0.3 %

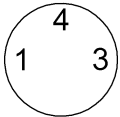
Remarks

- 3) Damping magnet axially magnetized
Effective operating current Ie with thermally coupled installation in metal.
- 2) Application area: pneumatic cylinder with t-slot. For dimensions, see sketch in product view.
- 4) Allen wrench 2.0 mm: max. tightening torque 0.4 Nm. Screw driver 4x0.8 mm: max. tightening torque 1 Nm

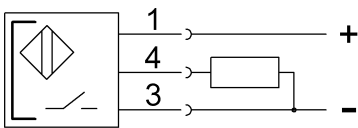
For further information on MTTF/B10d, please refer to the MTTF / B10d Certificate.

Specification of the MTTF value and the B10d value do not represent any binding quality and/or life expectancy guarantees.

Connector view



Wiring Diagram



Additional View

