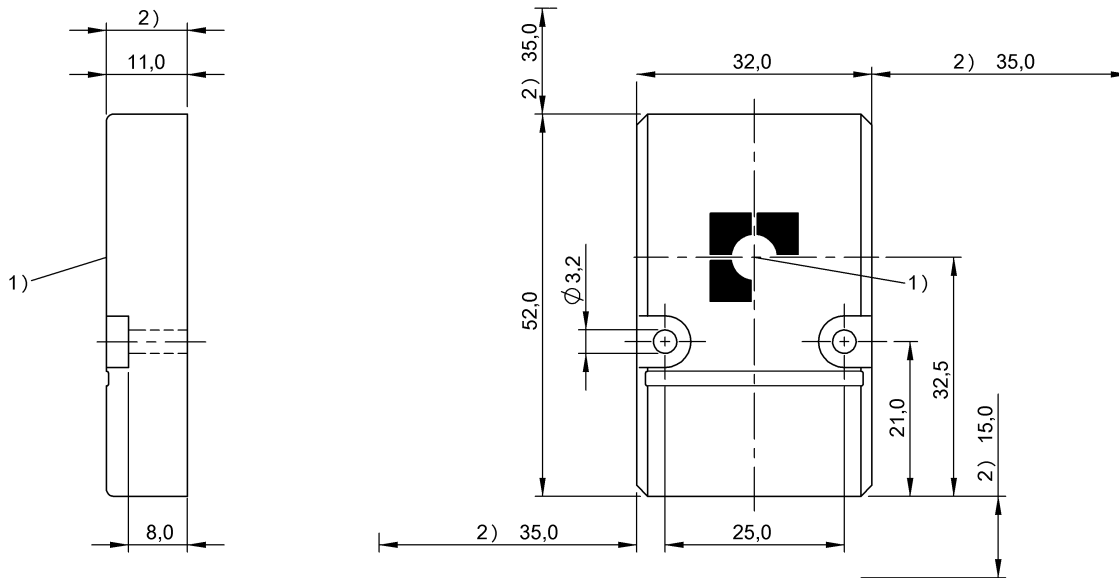


## BIS M-108-11/A BIS011F



1) Sensing surface 2) Clear zone



### Electrical data

Data retention time/years	≥ 10 at 55 °C
Memory capacity	8192 Byte
Memory size, read	8 Byte
Programming cycles	10 000 000 000
Programming time	for 16 bytes: 0.006s
Read cycles	Unlimited
Read time	User ID for 8 bytes: 0.02 s for 16 bytes: 0.003 s

### Environmental conditions

Ambient temperature	-25...70 °C
EN 60068-2-27, Continuous shock load	yes
EN 60068-2-27, Shock	yes
EN 60068-2-6, Vibration	yes
Protection type IEC 60529	IP67
Storage temperature	-25...85 °C

### Functional safety

EN 60068-2-32 Free fall	yes
-------------------------	-----

### General data

Antenna type	round
Approval/Conformity	CE
EN 55022	Size 1, Cl. B

### Material

Housing material	PBT, GF
------------------	---------

### Mechanical data

Application weight	27.00 g
Dimension	32 x 11 x 52 mm
Installation	with clear zone (in steel)

### Remarks

For installation in metal: Observe clear zone.  
Time specification includes data check.  
For installation requirements see corresponding read/write head.  
Only when used together with the appropriate read/write head.  
Values are under rated conditions unless otherwise specified.  
Impact loading not permitted.