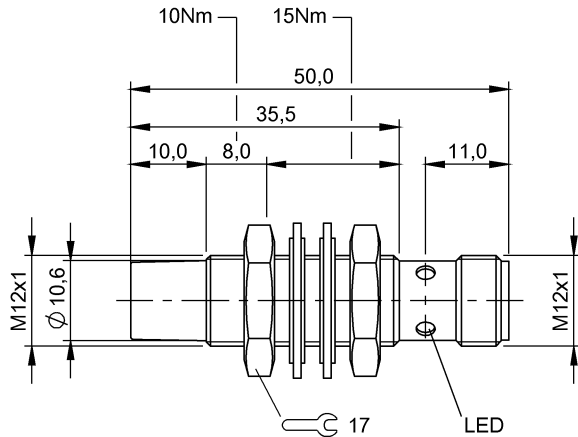


**BES M12MD-PSC80F-S04G**  
**Ordering code: BES01PY**

**Inductive sensor**  
**Global**  
**M12x50 mm**

**DC, direct current**  
**PNP/Normally open (NO)**  
**Sn= 8 mm**  
**Non embeddable**  
**■ ■**

**BALLUFF**  
*sensors worldwide*



**Characteristic data**

Assured operating distance Sa	6,4
Eff. switching distance Sr	8 mm
Tolerance Sr	±10 %
Hysteresis H max. (in % of Sr)	20 %
Repeat accur. R max. (% of Sr)	5 %
Ambient temperature	-25...70 °C
Temp. drift max. (% of Sr)	10 %
Switching freq. f max.	800 Hz
Ready delay tv max.	20 ms
Utilisation category	DC 13
Function indicator	Yes
Power indicator	No
Short-circuit protected	Yes
Protected against polarity reversal	Yes
Protected against miswiring	Yes
Enclosure Type per IEC 60529	IP68 according to BWN PR 20
Protection class	II
Principle of operation	Inductive

**Electrical data**

Operating voltage	10...30 V DC
Ripple max. (% of Ue)	15
Rated operating voltage Ue DC	24 V
Voltage drop static max.	2,5 V
Rated insulation voltage Ui	250 AC
Effective operating current Ie	200 mA
No-load current Io damped max.	10 mA

Max. no-load cur. Io undamped	3 mA
Off-state current Ir max.	10 µA
Minimum operating current Im	0 mA
Rated short circuit current	100 A
Output resistance Ra	33.0k + D
Load capacitance max. (at Ue)	0,5 µF

**Mechanical data**

Connection type	Connector
Connector type	M12x1-S04
Housing material	CuZn
Oberflächenschutz	Nickel-free coating
Sensing surface material	PBT
Mounting length	25,5 mm
Shock rating	Shock, half-sinus, 30 gn, 11ms
Vibration rating	55 Hz, 1 mm ampl., 3x30 min
Degree of contamination	3
Tightening torque	10 Nm / 15 Nm

**Basic data**

Basic standard	IEC 60947-5-2
----------------	---------------

**Remarks**

The sensor is functional again after the overload has been eliminated.  
 Unshielded: See installation instructions for inductive sensors with extended switching distance 853924.  
 With connector, e.g. BKS-S 20-... total length = switch length +18 mm.



**BES M12MD-PSC80F-S04G**  
**Ordering code: BES01PY**

Inductive sensor  
Global  
M12x50 mm

DC, direct current  
PNP/Normally open (NO)  
Sn= 8 mm  
Non embeddable  
■ ■

**BALLUFF**

*sensors worldwide*

