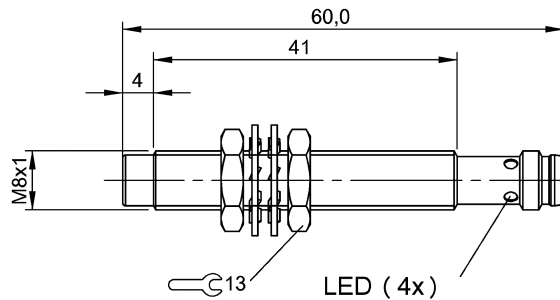


BES M08MG1-PSC60F-S49G BES02W4



Display/Operation

Function indicator	yes
Power indicator	no

Electrical connection

Connection	M8x1-Connector, 3-pole
Polarity reversal protected	yes
Short-circuit protection	yes

Electrical data

Hysteresis H max. (% of Sr)	15.0 %
Load capacitance max. at Ue	1 µF
MTTF (40 °C)	945 a
No-load current I ₀ max., undamped	10 mA
Operating voltage U _b	10...30 VDC
Output resistance R _a	47.0 kOhm
Pollution degree	3
Protected against miswiring	yes
Rated insulation voltage U _i	75 V DC
Rated operating current I _e DC	200 mA
Rated operating voltage U _e DC	24 V
Rated short circuit current	100 A
Ready delay t _v max.	50 ms
Repeat accuracy max. (% of Sr)	5.0 %
Residual current I _r max.	100 µA
Switching frequency	500 Hz
Utilization category	DC -13
Voltage drop static max.	2 V

Environmental conditions

Ambient temperature	-25...70 °C
Protection type IEC 60529	IP67

Internet	www.balluff.com
Balluff Germany	+49 (0) 7158 173-0, 173-370
Balluff USA	1-800-543-8390
Balluff China	+86 (0) 21-50 644131

Functional safety

Diagnostic coverage	0 %
Functional safety	no
Mission Time	0 a

General data

Approval/Conformity	EAC CE cULus
Basic standard	IEC 60947-5-2

Material

Housing material	Brass
Material sensing surface	PBT
Surface protection	chrome plated

Mechanical data

Dimension	Ø 8 x 60 mm
Installation	non-flush
Size	M8x1
Tightening torque	4 Nm

Output/Interface

Switching output	PNP Normally open (NO)
------------------	------------------------

Range/Distance

Assured operating distance S _a	4.8 mm
Range	6 mm
Rated operating distance S _n	6 mm
Ripple max. (% of U _e)	20 %

For definitions of terms, see main catalog
Subject to change without notice

eCI@ss 9.1: 27-27-01-01
ETIM 6.0: EC002714
BES02W4_09-03-17_16:52

BES M08MG1-PSC60F-S49G BES02W4

Switching distance marking ■■■
Temperature drift max. (% of Sr) 10 %

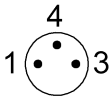
For further information on MTTF/B10d, please refer to the MTTF / B10d Certificate.

Specification of the MTTF value and the B10d value do not represent any binding quality and/or life expectancy guarantees.

Remarks

With connector, e.g. BKS-S 49-... total length = switch length +12 mm.
The sensor is functional again after the overload has been eliminated.

Connector view



Wiring Diagram

