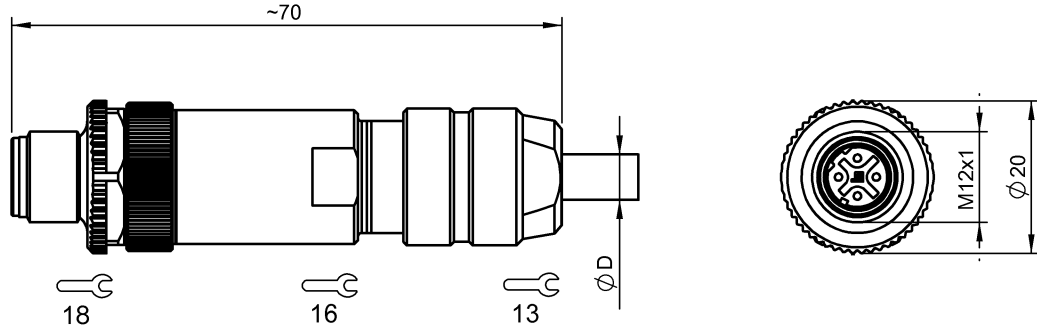


BCC M474-0000-2D-000-51X475-000
Ordering code: BCC03WZ

Field-wired connector
M12x1, d-coded

BALLUFF
sensors worldwide



Characteristic data

Design	straight
System	user assembly
Power indicator	No
Function indicator	No

Electrical data

Operating voltage UB max. AC	250 V
Operating voltage UB max. DC	250 V
Rated current (40 °C)	4.0 A

Mechanical data

Number of sockets or pins	5
Wire cross-section max.	0.75 mm ²
Cable diameter min.	5 mm
Cable diameter max.	8 mm

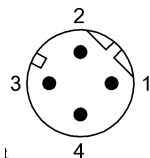
Wire cross-section min.	0.14 mm ²
Type of wire mounting	Screw terminals
Ambient temperature	-25...85 °C
Ambient temperature (movable)	-20...60 °C
Grip material	Zinc diecasting (GD-Zn)
Cover nut material	GD-Zn
Contact carrier material	PA
Contact material	CuZn
Tightening torque pigtail	0.6 Nm

Basic data

Enclosure Type per IEC 60529	IP67
------------------------------	------

Remarks

Enclosure type accord. to IEC 60529, when threaded together with the appropriate counterpart.



PIN 1-4 usable