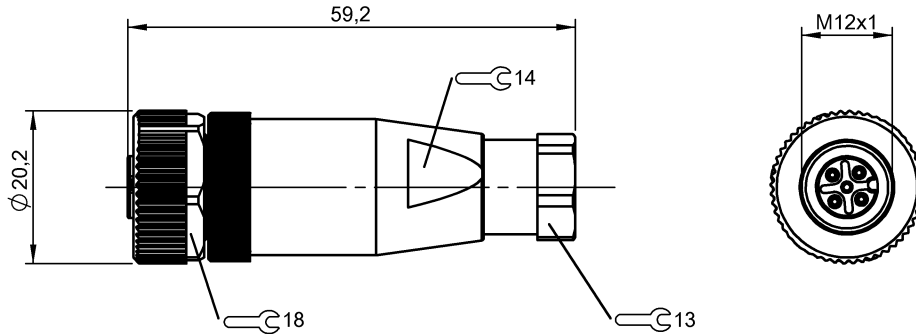


BCC M435-0000-1A-000-41X475-000
Ordering code: BCC06Z9

Field-wired connector
M12x1

BALLUFF
sensors worldwide



Characteristic data

Connector style (Head I)	Plug M12
Design	straight
System	user assembly
Power indicator	No

Electrical data

Connection type	Screw connection
Operating voltage UB max. AC	250 V
Operating voltage UB max. DC	250 V
Rated current (40 °C)	4.0 A

Mechanical data

Number of sockets or pins	5
Wire cross-section max.	0.75 mm ²
Cable diameter min.	4 mm

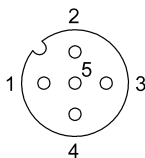
Cable diameter max.	6 mm
Wire cross-section min.	0.14 mm ²
Type of wire mounting	Screw terminals
Ambient temperature	-25...85 °C
Grip material	PA
Cover nut material	GD-Zn
Contact carrier material	PA
Contact material	CuZn
Tightening torque pigtail	0.6 Nm

Basic data

Enclosure Type per IEC 60529	IP67
------------------------------	------

Remarks

Enclosure type accord. to IEC 60529, when threaded together with the appropriate counterpart.



PIN 1-4 usable