



AZ17-11ZRK-ST

- Long life
- Small body
- Multiple coding
- Double-insulated
- 8 actuating planes
- Insensitive to soiling
- 30 mm x 78.5 mm x 30mm
- Thermoplastic enclosure
- Connector M12 x 1, 4-pole
- High level of contact reliability with low voltages and currents

Data

Ordering data

Product type description	AZ 17-11ZRK-ST
Article number (order number)	101140774
EAN (European Article Number)	4030661119731
eCl@ss number, Version 9.0	27-27-26-02

Approval - Standards

Certificates	cULus
	CCC
	EAC

General data

Product name	AZ 17
Coding level according to ISO 14119	Low
Enclosure material	Plastic, glass-fibre reinforced thermoplastic, self-extinguishing
Material of the contacts, electrical	Silver
Gross weight	85 g

General data - Features

higher Latching force	Yes
Number of auxiliary contacts	1
Number of safety contacts	1

Safety appraisal

Standards	ISO 13849-1
Mission Time	20 Year(s)

Safety appraisal - Safety outputs

B10d Normally-closed contact (NC)	2,000,000 Operations
B10d Normally open contact (NO)	1,000,000 Operations
Note (B10d Normally open contact (NO))	at 10% I _e and ohmic load

Mechanical data

Mechanical life, minimum	1,000,000 Operations
Latching force	30 N
positive break travel	11 mm
Positive break force, minimum	17 N
Actuating speed, maximum	2 m/s

Mechanical data - Connection technique

Terminal Connector	Connector plug M12, 4-pole, (A-coding)
--------------------	--

Mechanical data - Dimensions

Height of sensor	78.5 mm
Length of sensor	30 mm
Width of sensor	30 mm

Ambient conditions

Protection class	IP 67 to IEC/EN 60529
------------------	-----------------------

Ambient conditions - Insulation value

Rated impulse withstand voltage	4 kV
---------------------------------	------

Electrical data

Thermal test current	10 A
Utilisation category AC-15	230 VAC
Utilisation category AC-15	4 A
Utilisation category DC-13	24 VDC
Utilisation category DC-13	4 A
Switching element	NO contact, NC contact
Switching principle	Creep circuit element

Scope of delivery

Included in delivery Actuators must be ordered separately.
Slot sealing plugs

Notes

Note (General) Individual coding available on request

Ordering code

Product type description:

AZ 17-(1)Z(2)K-(3)-(4)-(5)

(1)

11 1 NO contacts/1 NC contact

02 2 NC contact

(2)

without Latching force 5 N

R Latching force 30 N

(3)

without M16 cable gland

2243 Front cable entry

2243-1 Rear cable entry

ST M12 connector, 4 pole

(4)

1637 Gold-plated contacts

(5)

5M Cable length 5 m

6M Cable length 6 m

Pictures

Product picture (catalogue individual photo)



ID: kaz17f17

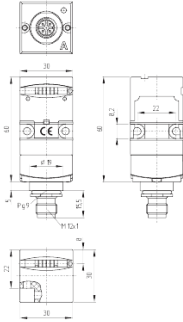
| 106,0 kB | .png | 74.083 x 160.161 mm - 210 x 454

Pixel - 72 dpi

| 651,2 kB | .jpg | 221.192 x 478.367 mm - 627 x 1356

Pixel - 72 dpi

Dimensional drawing basic component



ID: kaz17g03

| 265,7 kB | .jpg | 352.778 x 626.533 mm - 1000 x

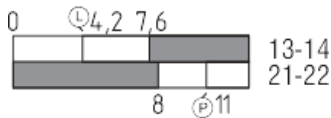
1776 Pixel - 72 dpi

| 44,7 kB | .cdr |

| 8,1 kB | .png | 74.083 x 131.586 mm - 210 x 373

Pixel - 72 dpi

Switch travel diagram



ID: kaz17s01

| 52,6 kB | .jpg | 352.778 x 125.236 mm - 1000 x 355

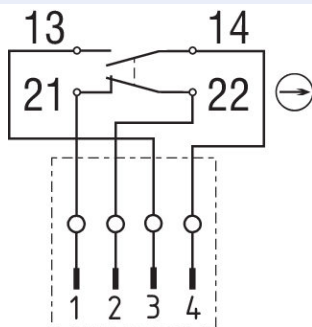
Pixel - 72 dpi

| 2,0 kB | .png | 74.083 x 26.458 mm - 210 x 75 Pixel -

72 dpi

| 19,6 kB | .cdr |

Diagram



ID: kaz17k03

| 18,6 kB | .cdr |

| 104,8 kB | .jpg | 352.778 x 369.358 mm - 1000 x

1047 Pixel - 72 dpi

K.A. Schmersal GmbH & Co. KG, Möddinghofe 30, D-42279 Wuppertal

The details and data referred to have been carefully checked. Images may diverge from original. Further technical data can be found in the manual. Technical amendments and errors possible.

Generated on 26.11.2020 16:28:04