

## Datasheet - AZ 15/16-B1

Safety switch with separate actuator / AZ 15 / Actuator



Preferred typ



(Minor differences between the printed image and the original product may exist!)

### Ordering details

Product type description	AZ 15/16-B1
Article number	101083036
EAN code	4030661070001

### Global Properties

Product name	Gerader Betätiger B1
Weight	15 g

### Mechanical data

Design of actuators	straight, rigid
Minimum actuating radius	160 mm

### notice

Minimum actuating radius on hinged guards 150 mm

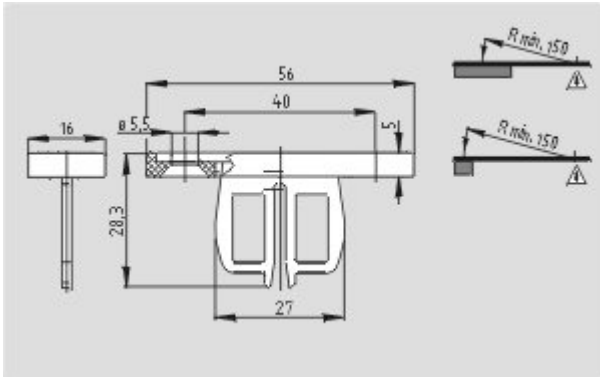
The axis of the hinge should be 5 mm above the top edge of the safety switch and in the same plane

### Documents

**Mounting and wiring instructions** (de, en, fr, it, es, jp) 267 kB, 29.08.2006

Code: m\_z15p02

### Images



Dimensional drawing (actuator)

K.A. Schmersal GmbH & Co. KG, Möddinghofe 30, D-42279 Wuppertal

The data and values have been checked thoroughly. Technical modifications and errors excepted.

Generiert am 07.08.2013 - 14:42:54h Kasbase 2.2.17.F DBI

Image

Image  
et=sS  
e