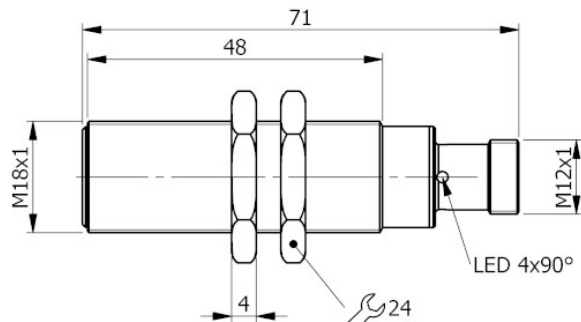


Part number: **I18000640** Model: **SI18SM-B5 NO/NC H**



Dimension in mm

## 1. TECHNICAL CHARACTERISTICS



### Electrical data

Power supply type:		Direct current
Working voltage:	[V]	10 ÷ 55
Protection class:		III
Reverse polarity protection:		Presente

### Outputs

Function:		NO/NC programmable
Max voltage drop:	[V]	< 6.5
Max output current:	[mA]	100
Minimum output current:	[mA]	1.5
Residual current:	[mA]	< 0.6
Max switching frequency:	[Hz]	1000
Short circuit protection:		Present
Type of short-circuit protection:		Pulsed
Overload protection:		Present

### Detection zone

Switching distance-Sn:	[mm]	5
Real sensing distance-Sr:	[mm]	5 ±10%
Operative distance-So:	[mm]	0 ÷ 4.05

### Accuracy and Deviations

Correction factor:		Stainless steel: 0.9 - Brass: 0.5 - Aluminium: 0.4 - Copper: 0.4
Hysteresis:	[%Sr]	< 10
Switching point drift:	[%Sr]	-10 ÷ +10
Repeatability:	[%Sn]	< 3

### Environmental conditions

Temperature limits:	[°C]	-25 ÷ +70
IP rating:		IP65-IP66-IP67 (depending on connector )

### Display and control elements

Display: Output switching status - 4 x 90° LED: Yellow

### Mechanical data

Housing:	Threaded type
Thread designation:	M18x1
Dimensions:	[mm] M18x1 - L=71
Materials:	Housing: Nickel-plated brass - Sensing area: POM red - Lock nuts: Nickel-plated brass
Mounting:	Embeddable
Weight:	[g] 70

### Electrical connection

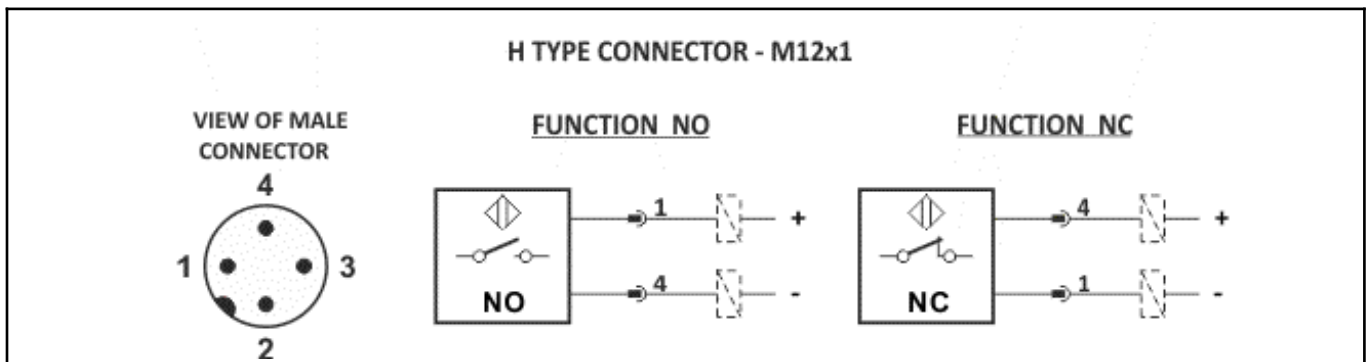
Connector: H type - M12X1 - Gold plated contacts

### Compliance to Standards / Directives

Directives compliance:	2014/30/EU -Electromagnetic compatibility directive (EMC)
Standards compliance:	EN60947-5-2 - Product standard

## 2. NORME DI INSTALLAZIONE

### WIRING DIAGRAM



### INSTRUCTIONS FOR CORRECT INSTALLATION

