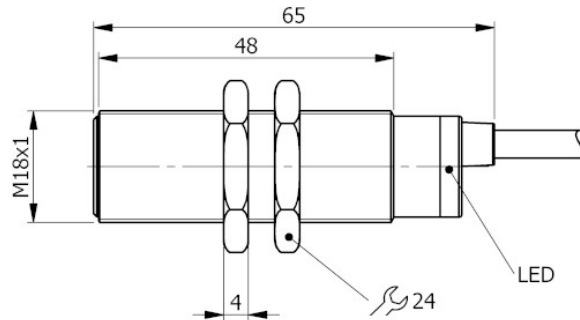


Part number: **I18000006** Model: **SI18-A5 NO**



Dimension in mm

1. TECHNICAL CHARACTERISTICS



Electrical data	
Power supply type:	Alternating current
Working voltage: [V]	20 ÷ 250
Protection class:	III
Outputs	
Function:	NO
Max voltage drop: [V]	< 6
Max output current: [mA]	300
Minimum output current: [mA]	5
Max peak current: [A]	1.5
Residual current: [mA]	< 1
Max switching frequency: [Hz]	12
Detection zone	
Switching distance-Sn: [mm]	5
Real sensing distance-Sr: [mm]	5 ±10%
Operative distance-So: [mm]	0 ÷ 4.05
Accuracy and Deviations	
Correction factor:	Stainless steel: 0.9 - Brass: 0.5 - Aluminium: 0.4 - Copper: 0.4
Hysteresis: [%Sr]	< 10
Switching point drift: [%Sr]	-10 ÷ +10
Repeatability: [%Sn]	< 3
Environmental conditions	
Temperature limits: [°C]	-25 ÷ +70
IP rating:	IP65-IP66-IP67
Display and control elements	
Display:	Output switching status - 1 x LED: Yellow

Mechanical data

Housing:	Threded type
Thread designation:	M18x1
Dimensions: [mm]	M18x1 - L=65
Materials:	Housing: Nickel-plated brass - Sensing area: POM blue - Lock nuts: Nickel-plated brass
Mounting:	Embeddable
Weigth: [g]	130

Electrical connection

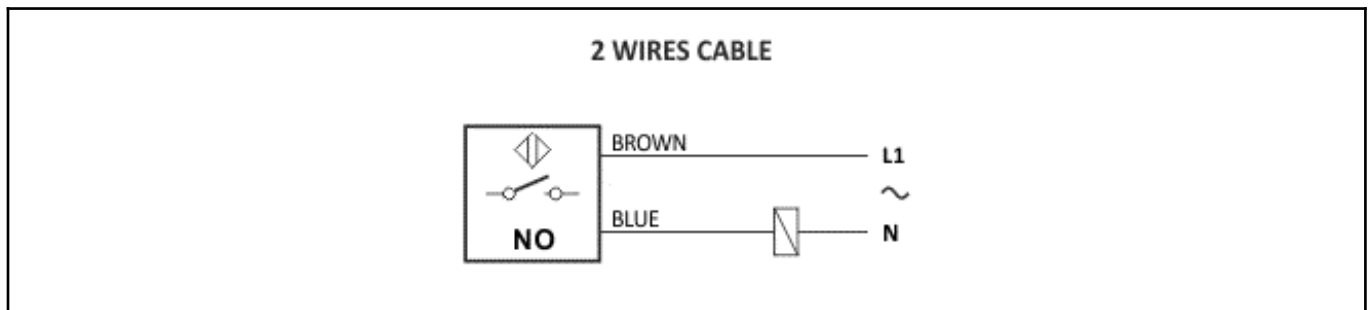
Cable:	2 m - PVC/PVC - 2 x 0.50 mm ²
--------	--

Compliance to Standards / Directives

Directives compliance:	2014/30/EU -Electromagnetic compatibility directive (EMC) 2014/35/UE -Low voltage directive (LVD)
Standards compliance:	EN60947-5-2 - Product standard

2. NORME DI INSTALLAZIONE

WIRING DIAGRAM



INSTRUCTIONS FOR CORRECT INSTALLATION

