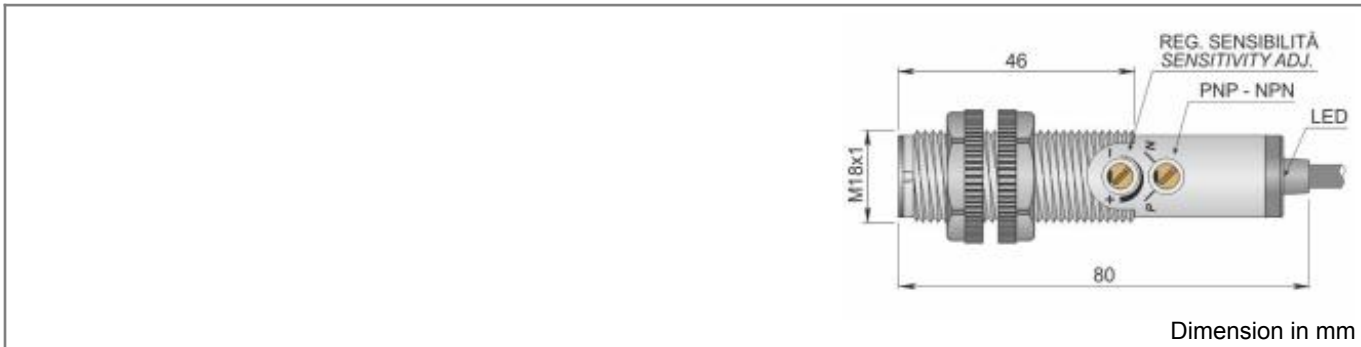




Part number: FT1000577 - Model: FT18SP-CP50



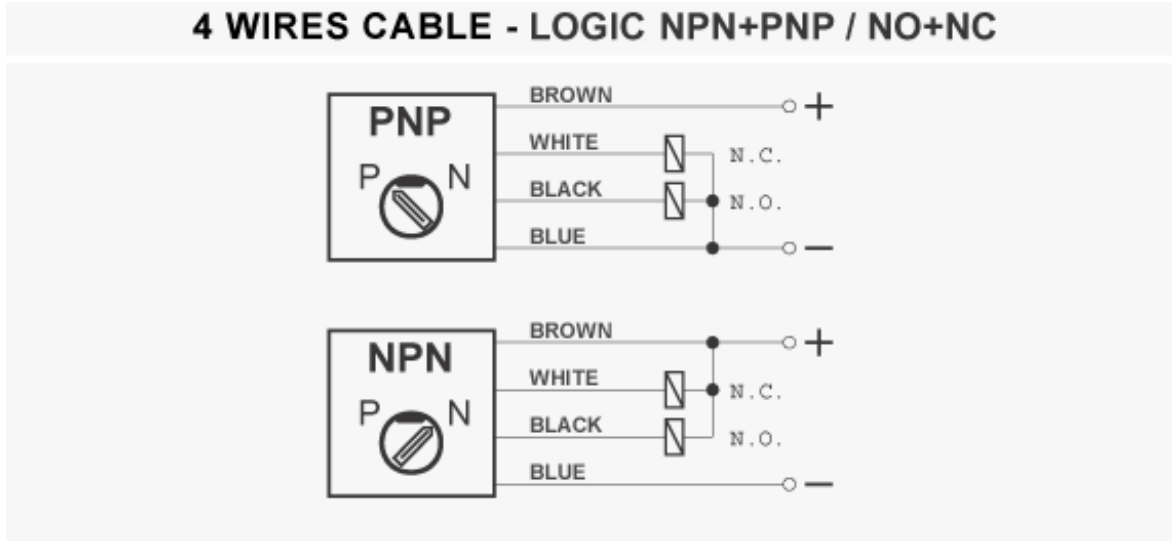
TECHNICAL CHARACTERISTICS

| | |
|-----------------------------------|------------------------------|
| Power supply: | Direct current |
| Working voltage: | 10 ÷ 30 Vdc |
| Switching distance (cm): | 0 ÷ 50 (adjustable) |
| Output type: | DC PNP/NPN |
| Function: | NO+NC |
| Actuation type: | Instantaneous |
| Light source: | Infrared |
| Power on delay: | < = 100 mSec |
| Max switching frequency: | 200 Hz |
| Max output current: | 200 mA |
| Absorption: | < = 50 mA @ 24 Vdc |
| Voltage drop: | < = 1.8V |
| Short circuit protection: | Present |
| Interference from external light: | > 10000 Lux |
| Led indicator: | Yellow = operation indicator |
| Temperature limits: | -20 ÷ +50 °C |
| IP rating: | IP 67 |
| Housing material: | Plastic |
| Mechanical characteristics: | M18x1 |
| Connection type: | Cable 2 m |
| Cable type: | 4x0.25 PVC |
| Weight: | 100 g |

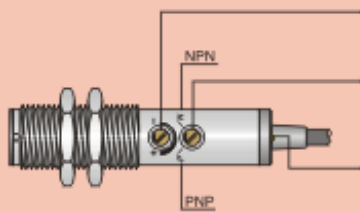


Part number: FT1000577 - Model: FT18SP-CP50

WIRING DIAGRAM



INSTRUCTIONS FOR THE PROGRAMMING AND ADJUSTMENT



- **TRIMMER FOR THE SENSING RANGE ADJUSTMENT** : The photocell is supplied with max. sensing range with the trimmer totally rotated in the clockwise direction. The sensitivity reduces by rotating the trimmer in the anti-clockwise direction.
- **SWITCH NPN / PNP** : The photocell is supplied with the switch in P (PNP output). To change to NPN turn the switch to N in the anti-clockwise direction.
WARNING ! For a correct working of the unit, do not carry out the switching when the photocell is powered.
- **YELLOW LED - OPERATION INDICATOR** : This led is ON when the object to be detected enters the sensing range of the photocell giving output signals.

NOTE ! Before giving a power supply to the photocell it is recommended that the same unit be programmed by using the switch in the required function NPN or PNP.

NOTE ! It is recommended that the trimmer and the switch would be rotated very carefully by using a proper tool otherwise these can be seriously damaged.