



Capacitive sensors Series - KXS

Housing M 32 x 1.5

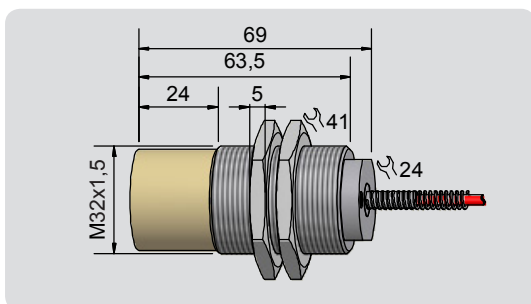
- Housing material: Stainless steel VA
- For connection to capacitive evaluation units KXA-...
- Extreme large sensing distance
- Up to 250 °C ambient temperature



Technical data

Operating distance S_n	80 mm
Operating distance adjustable	5...120 mm
Mounting	Flush / non-flush
Type	KXS-M32/70-PEEK
Art.-No.	KX 0027
Permitted ambient temperature	-70...+250 °C
Enclosure rating IEC 60529	IP 67
Norm	EN 60947-5-2
Connection cable for connection to capacitive evaluation units KXA-...	5 m FEP, Triax
Housing material	VA No. 1.4305
Active surface	PEEK (FDA 21 CFR 177.2415)

All specifications are subject to change without notice. (10.11.2015)



Made in Germany