



Emergency pull-wire switch

ZS 441 2Ö/1S VD / 220 N

Material number: 1185075 (Material number old: 74941501)

Features/Options:

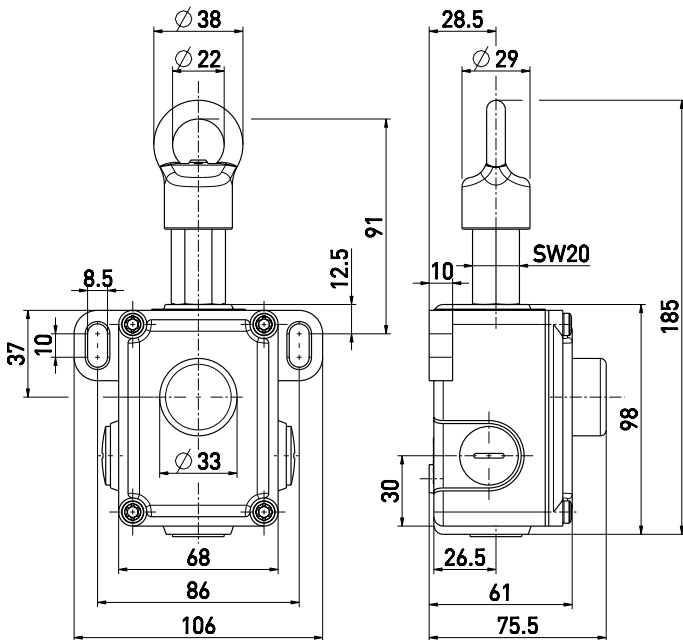
- Metal enclosure
- 3 contacts
- Wire length up to 60 m

Notes

- At 5 m distance intermediate wire supports are required. One wire thimble is provided.

- Spring force variant: 220 N
- Release by push-button (VD)
- Wire pull and breakage detection

Dimensions



Technical data

Applied standards	EN 60947-5-1, EN 60947-5-5, EN ISO 13850, EN ISO 13849-1
Enclosure	aluminium die-cast, powder-coated
Cover	aluminium die-cast, powder-coated
Degree of protection	IP 65 to IEC/EN 60529
B _{10d} (10 % load)	200 000
T _M	max. 20 years
Contact material	silver
Switching elements	2 NC/1 NO contact, type Zb
Switching system	snap action, positive break NC contacts ⊖
Connection	screw connection terminals
Cable cross-section	max. 2.5 mm ² (incl. conductor ferrules)
Cable entry	3 x M20 x 1.5
Rated impulse withstand voltage U _{imp}	6 kV
Rated operating isolation voltage U _i	400 V
Conventional thermal current I _{the}	2 A
Utilisation category	AC-15
Rated operating current/voltage I _e /U _e	2 A/250 VAC
Short-circuit protection	2 A gG/gN fuse
Ambient temperature	-25 °C ... +70 °C
Mechanical life	> 100 000 operations

Errors and omissions excepted.



Emergency pull-wire switch

ZS 441 2Ö/1S VD / 220 N

Material number: 1185075 (Material number old: 74941501)

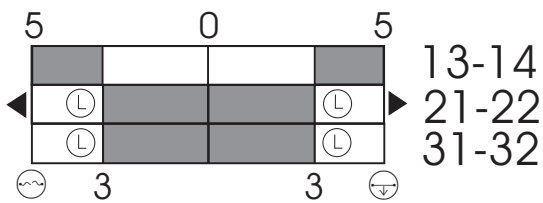
Technical data

Max. wire length 60 m

Approvals



Switching diagram



Contact diagram

