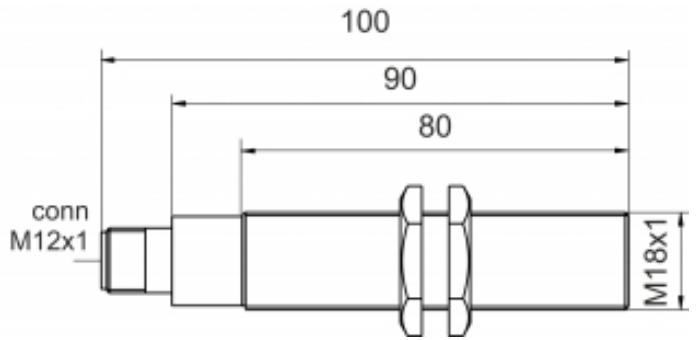
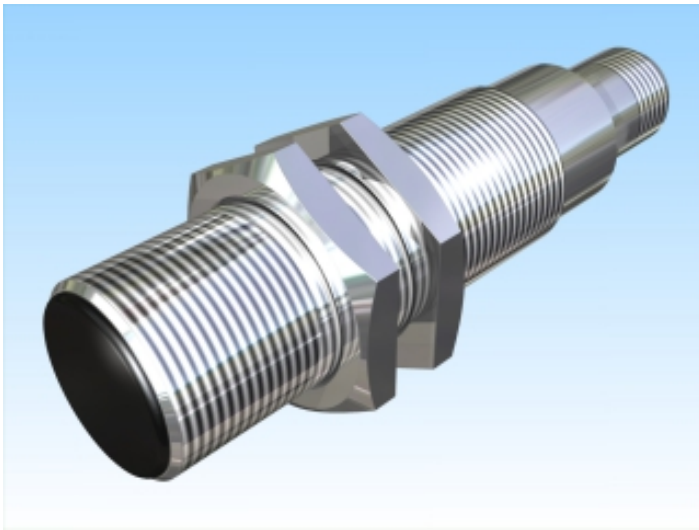


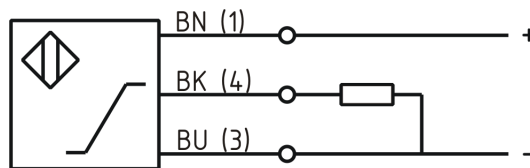


[Article Page](#)



Name	KJ4-M18MB100-ANU-V2
Order number	08317140965
Matchcode	9914-0965
Switching distance	from 1 mm to 4 mm
Mounting	 shielded
Switch type	 analog
Signal Type	Analog Voltage
Connection	connector M12
Connection diagramm	



Dimension (in mm)	fine-pitch thread M18 x 100
Special features	Output Voltage 1 ... 9 Volt
Operating voltage	18 - 30 VDC
Max. ripple	≤ 10 %
No load current	≤ 10 mA
Switching frequency	100 Hz
Operating temperature	-25 ° C to 70 ° C
Temperature drift	+/- 8 %
Repeat accuracy	≤ 1 %
Linearity	≤ 3%

Analog output	Pulso_has1
Time delay	300 ms
Resolution	2,67 V / mm
Reverse voltage protection	yes
Protection category	IP67
EMC-level	DIN EN 60947-5-7:2004-06
Housing material	Brass, nickel plated
Material active face	PCB
Rated operating current at 40° C	< 10 mA
Rated operating voltage	
Utilisation category	DC 13
Contact material	CuSn
Contact surface material	NiAu
Contact holder	PA 6
Nominal operating voltage	24 V DC
Termination	Connector M12 4pin
internal Load	