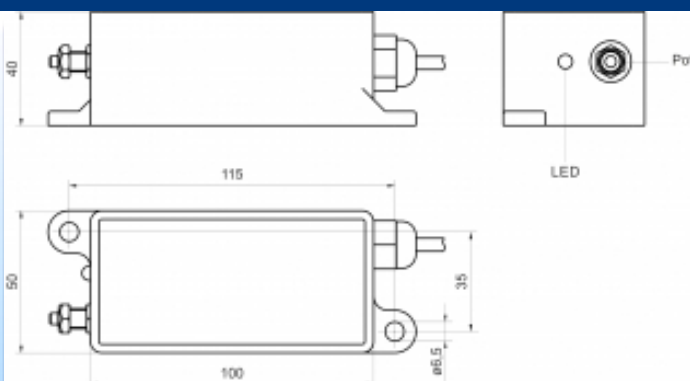


[Article Page](#)

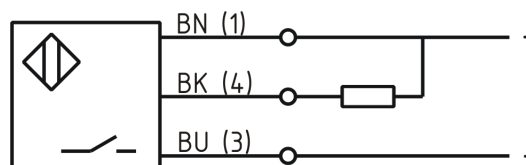
Product Description

inductive sensor DC



Name	KJ70-Q100AN-DNS-F2
Order number	08317090400
Matchcode	9809-0400
Switching distance	70 mm
Mounting	non shielded
Switch type	N.O.
Signal Type	DC NPN
Connection	Cable

Connection diagramm



Dimension (in mm)	Q 100 x 50 x 40
-------------------	-----------------

Technical Specification

Operating voltage	10 - 30 V DC
Max. ripple	≤ 10 %
Voltage drop	2,4 V
Max. load current	400 mA
No load current	≤ 12 mA
Leakage current	≤ 10
Switching frequency	300
Switching hysteresis	≤ 15 %

Operating temperature	-25 ° C to 70 ° C
Temperature drift	≤ 10 %
Repeat accuracy	≤ 10 %
Swiching state	LED
Short-circuit proof	yes
Overload protection	yes
Reverse voltage protection	yes
Protection category	IP67
EMC-level	DIN EN 60947-5-2: 2008
Housing material	Aluminum
Cable length	5 m
Utilisation category	DC 13
Cable material	PVC grau LIYY
Cable cross	3x0.34 mm ²
Notes	Schaltabstand über Poti einstellbar

Errors and omissions exceptet