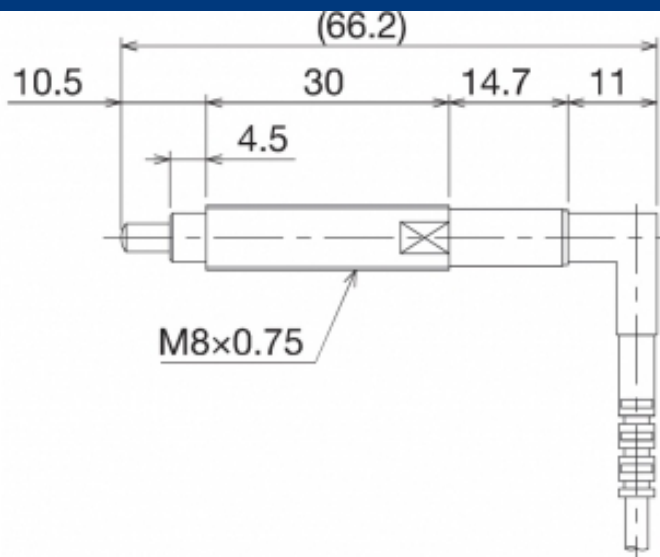

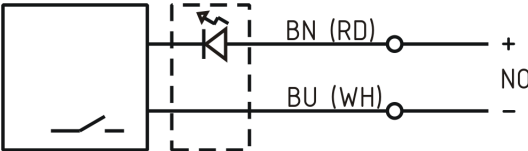


[Article Page](#)

Product Description

Touch Sensor



Name	CSK087A-LDR
Order number	08430131055
Switch type	 - N.O.
Signal Type	mechanical contact
Connection	Cable 3m
Connection diagramm	

Dimension (in mm)	fine-pitch thread M8x0,75 x l = 66,2
art_gewicht	50 g

Technical Specification

Operating voltage	5 - 24 mV
Max. load current	10 mA
Switching hysteresis	0
Operating temperature	0 ° C to 80 ° C
Temperature drift	0
Repeat accuracy	0,005 mm (at operating speed 50 ... 200 mm/min)
Switching state	LED
Stroke	5 mm
Pre-travel	0,3 mm
Accuracy	0,005 mm

Probe tip	Ø 3,5/ R 3
Probe tip material	Edelstahl
Operation load	1 N
art_ttl_mech	10 Mio. operating cycles
Protection category	IP65
Wiring	Zweidraht/ Two wire
Housing material	Stainless steel V2A
Termination	cable 3 m, 2 wire, sideways (90°), Ø 2.8 mm, oil resistant
Approach direction	axial

Errors and omissions exceptet