



Position switch EM 41 WHL 1Ö/1S

Material number: 1046421 (Material number old: 41116001)

Features/Options:

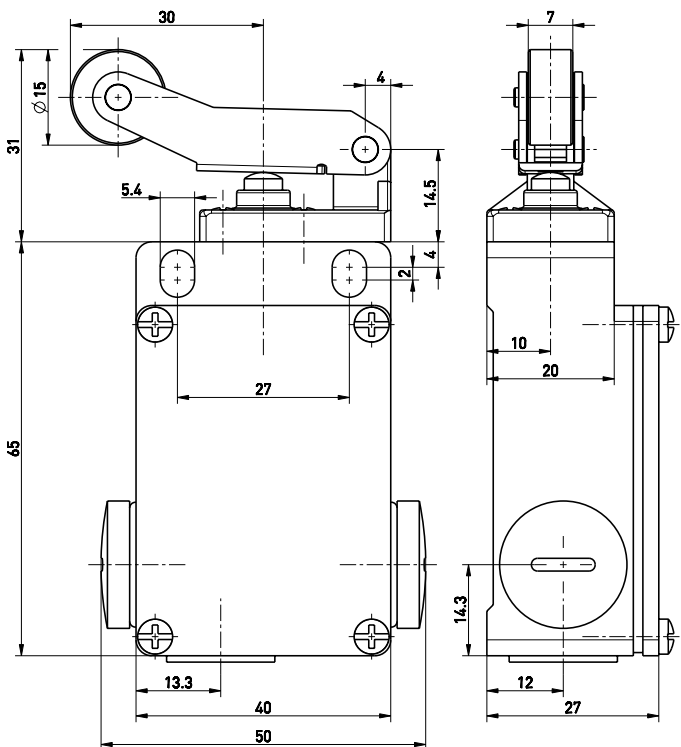
- Metal enclosure
- Snap action, change-over contact with double break
- 3 cable entries M16 x 1.5
- Actuator: Long roller lever with collar WHL
- Actuating speed max. 0.5 m/s with a vertical actuating angle of $\alpha = 40^\circ$ and $\beta = 30^\circ$

- Wear-resistant plastic roller
- Actuator can be repositioned by $4 \times 90^\circ$
- Watertight collar for protection against penetration of dirt

Notes

- Actuation from the left should be avoided since this reduces the mechanical life of the position switch.
- With metal roller available on request

Dimensions



Technical data

Applied standards	EN 60947-5-1
Enclosure	aluminium die-cast, powder-coated
Degree of protection	IP 65 to IEC/EN 60529
Contact material	silver
Switching system	snap action
Switching elements	1 NC/1 NO contact, type Zb
Connection	screw connection terminals
Cable cross-section	max. 2.5 mm ² (incl. conductor ferrules)
Cable entry	3 x M16 x 1.5
Rated impulse withstand voltage U_{imp}	4 kV
Rated operating isolation voltage U_i	400 V
Conventional thermal current I_{the}	6 A
Utilisation category	AC-15
Rated operating current/voltage I_e/U_e	6 A/400 VAC
Short-circuit protection	6 A gG/gN fuse
Mechanical life	> 1 million operations
Operation cycles	max. 3600/h
Ambient temperature	-20 °C ... +80 °C
Repeat accuracy of switching points	± 0.1 mm

Errors and omissions excepted.



Position switch EM 41 WHL 1Ö/1S

Material number: 1046421 (Material number old: 41116001)

Technical data

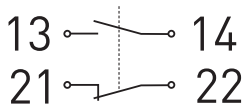
Approvals



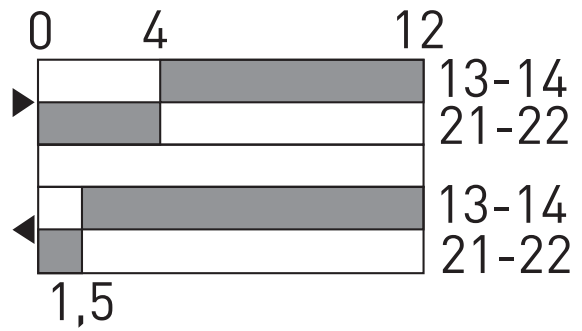
Weight

270 g

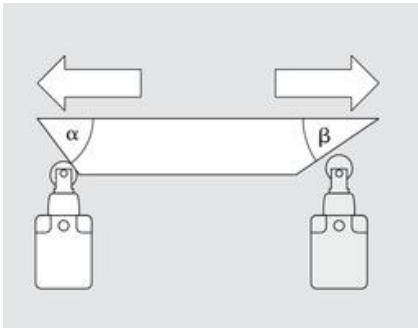
Contact diagram



Switching diagram



Actuating angles



α - Actuating angle from right of switch axis
 β - Actuating angle from left of switch axis as shown in picture