



Ex safety sensor

Ex RC Si 56 2Ö - LED - 5m

Material number: 1185181 (Material number old: 25653504)

Features/Options:

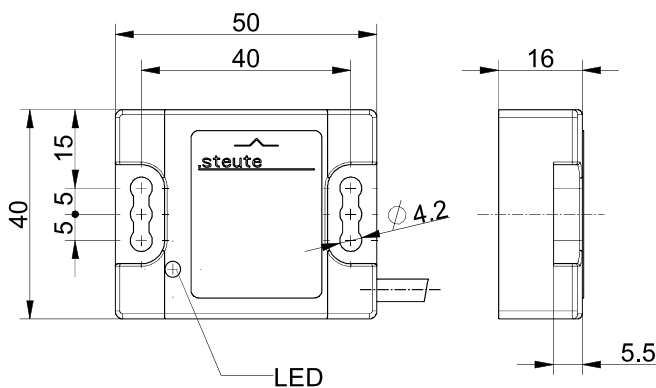
- Ex zone 1 and 21
- Thermoplastic enclosure
- Long life
- Reed contacts, coded

- Actuation from front
- Switching distance up to 6 mm
- Attention: Please state required international approvals with your order!

Notes

- The actuator is not included in the delivery of the switches

Dimensions



Technical data

| | |
|---|---|
| Applied standards | EN ISO 13849-1, EN 60947-5-3, EN ISO 14119, EN 60079-0, EN 60079-18 |
| Enclosure | thermoplastic, glass-fibre reinforced, impact resistant, self-extinguishing UL 94 V-0 |
| Sensor type | type 4 interlocking device |
| Coding level | low coding |
| Degree of protection | IP 67 to IEC/EN 60529 |
| Safety-relevant data: | |
| EN ISO 13849-1 | Performance Level PL e |
| Category | 4 |
| B_{10d} (10 % load) | 20 million |
| T_M | max. 20 years |
| $MTTF_d$ | > 100 years |
| DC/DC _{avg} | > 99 % |
| Switching system | reed contacts |
| Switching elements | 2 NC contacts |
| Connection | Pre-wired cable 4 x AWG 24 UL |
| Cable cross-section | 4 x 0.22 mm ² |
| Cable length | 5 m |
| Switching voltage | max. 30 VDC |
| Rated operating current/voltage I_e/U_e | max. 20 mA / 24 VDC |
| Voltage drop at I_e | max. 3 V |
| Switching frequency | max. 5 Hz |

Errors and omissions excepted.

