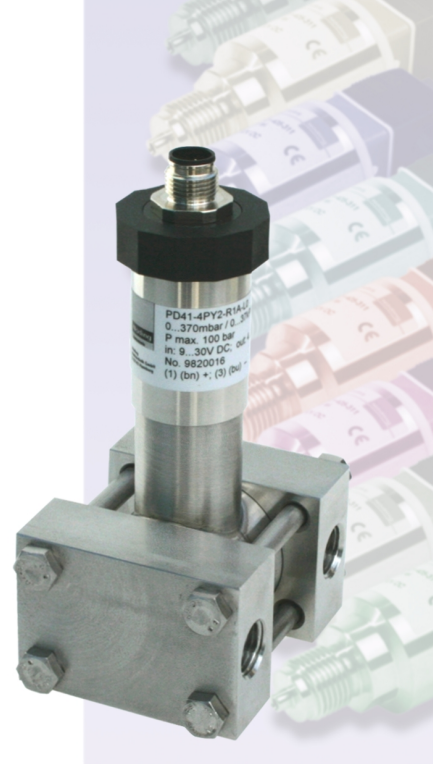


- Stainless steel sensor with Hastelloy diaphragm
- ΔP -Ranges from 50 mbar to 25 bar
- Accuracy: $\leq 0.2\%$
- One side overload 100 / 250 bar
- Static pressure max. 100 / 250 bar
- Analog output: 4...20 mA, 2-wire



Differential pressure transmitter PD 41

Technical data:

| | |
|--------------------------|---|
| ΔP -Range: | 0...50 mbar to 0...25 bar |
| Output: | 4...20 mA, 2-wire signal range 3.8...20.5 mA |
| Accuracy: | $\leq \pm 0.2\%$ FS @ 25°C |
| Hysteresis: | $\leq \pm 0.05\%$ FS |
| Static pressure: | R = 100 bar (standard flange) S = 250 bar (heavy duty flange) |
| Static pressure effect: | $\leq \pm 0.1\%$ FS/10 bar |
| Time constant T_{90} : | 200 ms |
| Power supply: | 9...30V DC |
| Ambient temperature: | -25...85 °C |
| Process temperature: | -25...120 °C |
| Temperature coef.: | $\leq \pm 0.02\%$ FS/K |
| Long term stability: | $\leq \pm 0.1\%$ FS p. a. |
| Process connection: | 1/4-18 NPT, 1.4404 (316L) |
| Diaphragm: | Hastelloy (C276) |
| Housing: | stainless steel 1.4301 (304) |
| Electrical connection: | connector EN 175301-803A, IP67 connector M12x1, IP 67 Quickon-connector, IP 67 cable connection IP67 |

Nöding

Meßtechnik

ΔP-Ranges

| ranges | code | ranges | code |
|---------------------------|------|------------------------------------|------|
| 0...50 mbar / 0...5 kPa | PB0 | -25...0.25 mbar / -2.5...0.25 kPa | BE6 |
| 0...60 mbar / 0...6 kPa | PA9 | -50...0.50 mbar / -5...0.5 kPa | BB0 |
| 0...75 mbar / 0...7.5 kPa | PY1 | -60...0.60 mbar / -6...0.6 kPa | BA9 |
| 0...100 mbar / 0...10 kPa | P00 | -75...0.75 mbar / -7.5...0.75 kPa | BY1 |
| 0...160 mbar / 0...16 kPa | P01 | -100...0.100 mbar / -10...0.10 kPa | B00 |
| 0...200 mbar / 0...20 kPa | PB1 | -160...0.160 mbar / -16...0.16 kPa | B01 |
| 0...250 mbar / 0...25 kPa | P02 | -200...0.200 mbar / -20...0.20 kPa | BB1 |
| 0...300 mbar / 0...30 kPa | PX5 | -250...0.250 mbar / -25...0.25 kPa | B02 |
| 0...370 mbar / 0...37 kPa | PY2 | -300...0.300 mbar / -30...0.30 kPa | BX5 |
| 0...400 mbar / 0...40 kPa | P03 | -370...0.370 mbar / -37...0.37 kPa | BY2 |
| 0...500 mbar / 0...50 kPa | PB7 | -400...0.400 mbar / -40...0.40 kPa | B03 |
| 0...600 mbar / 0...60 kPa | P04 | -500...0.500 mbar / -50...0.50 kPa | BB7 |
| 0...1 bar / 0...100 kPa | P05 | -600...0.600 mbar / -60...0.60 kPa | B04 |
| 0...1.6 bar / 0...160 kPa | P06 | -1...0.1 bar / -100...0.100 kPa | B05 |
| 0...2 bar / 0...200 kPa | PB3 | -1.6...0.16 bar / -160...0.160 kPa | B06 |
| 0...2.5 bar / 0...250 kPa | P07 | -2...0.2 bar / -200...0.200 kPa | BB3 |
| 0...3 bar / 0...300 kPa | PX3 | -2.5...0.25 bar / -250...0.250 kPa | B07 |
| 0...4 bar / 0...400 kPa | P08 | -3...0.3 bar / -300...0.300 kPa | BX3 |
| 0...5 bar / 0...500 kPa | PF1 | -4...0.4 bar / -400...0.400 kPa | B08 |
| 0...6 bar / 0...600 kPa | P09 | -5...0.5 bar / -500...0.500 kPa | BF1 |
| 0...10 bar / 0...1 MPa | P10 | -6...0.6 bar / -600...0.600 kPa | B09 |
| 0...16 bar / 0...1.6 MPa | P11 | -10...0.10 bar / -1...0.1 MPa | B10 |
| 0...20 bar / 0...2 MPa | PB5 | -16...0.16 bar / -1.6...0.16 MPa | B11 |
| 0...25 bar / 0...2.5 MPa | P12 | -20...0.20 bar / -2...0.2 MPa | BB5 |
| non-standard range | P99 | -25...0.25 bar / -2.5...0.25 MPa | B12 |
| | | non-standard range | B99 |

Ordering code

Output signal

4 4...20 mA 2-wire (signal range 3.8...20.5 mA)

Range

Measurement range see table

Process connection and material

- R standard flange Pmax. 100 bar
1/4-18 NPT, 1.4404
- S heavy duty flange Pmax. 250 bar
1/4-18 NPT, 1.4404
- M heavy duty flange Pmax. 160 bar
M10, 1.4404

Sensor seal

- 1 FPM (Viton) Standard
- 3 EPDM
- 5 Chemraz 505

Electrical connection

- 0 5m cable, IP 67
- 1 connector EN 175301-803A IP 67
- 6 2m cable, IP 67
- A connector M12x1, IP 67
- F Quickon-connector IP 67
- H 10m cable, IP 67
- 9 others (on-request)

Mounting position

- S horizontal pressure connection
- L vertical, top low connection
- H vertical, top high connection

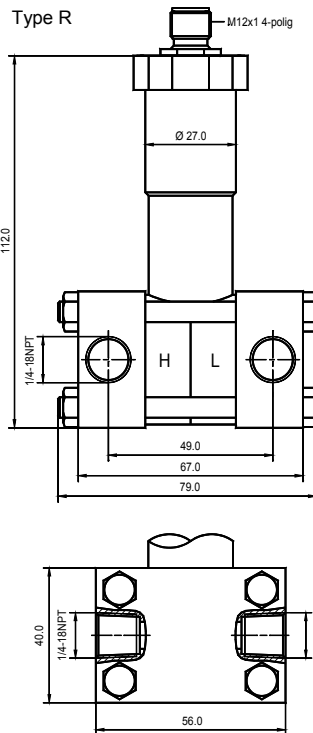
Options

- 0 none

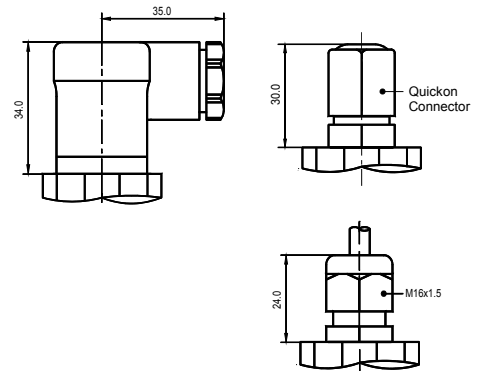
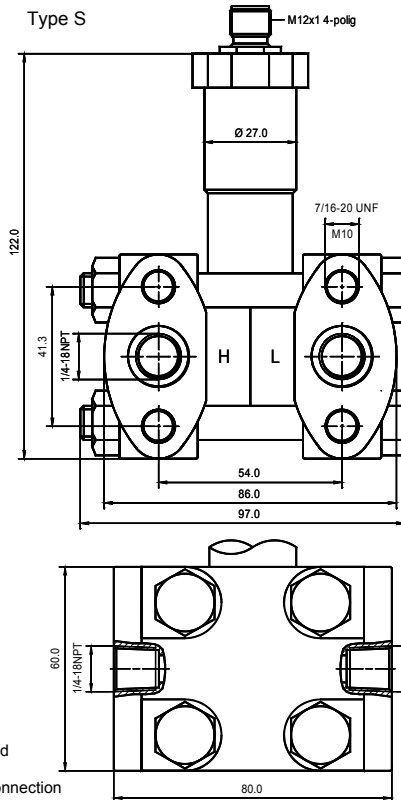
PD41-

Dimensions (mm)

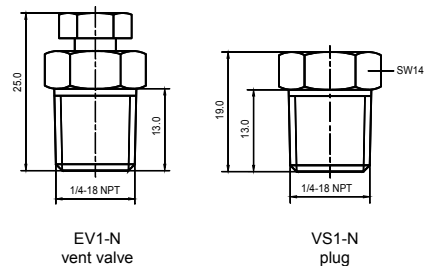
Type R



Type S



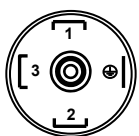
Accessories (optional)



It is necessary to define the mounting position to avoid position-dependent error.
Standard mounting position is horizontal, pressure connection left / right (as shown above)

Electrical connections

connector EN175301-803A



4...20 mA 2-wires
PIN1 Signal +
PIN2 Signal -

Quickon connector



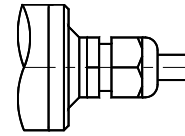
4...20 mA 2-wires
PIN1 Signal +
PIN2 Signal -

connector M12, 4-polig



4...20 mA 2-wires
PIN1 Signal +
PIN3 Signal -

cable connection



4...20 mA 2-wires
brown Signal +
white Signal -

Modifications reserved without notice 11.11