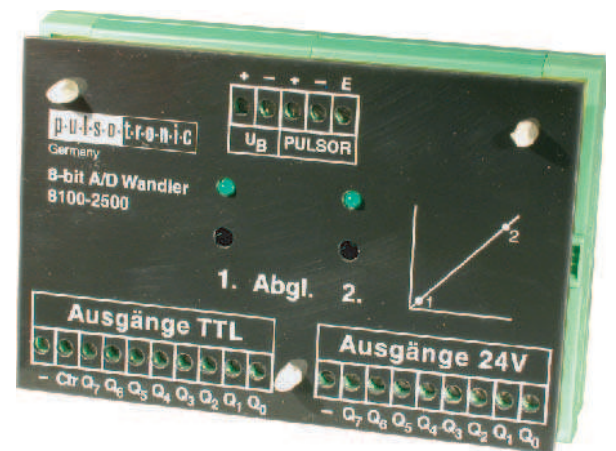
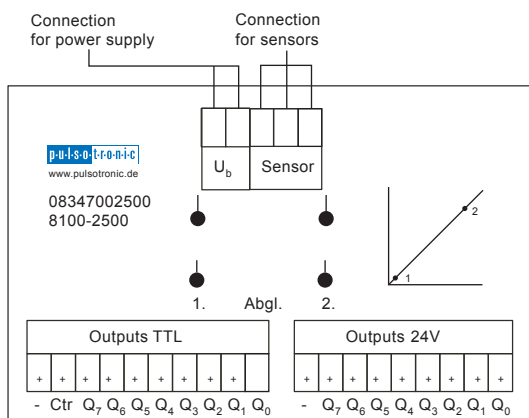


## A/D CONVERTER 8 BIT

The digital output 24V allows the control of a PLC. The TTL output allows the user to connect the converter to a pc. Due to the 8-Bit input the measuring section is disintegrated into 256 single points which results in a resolution of max. 10  $\mu\text{m/bit}$  in dependence to sensor type. The operating voltage for the module is at 18-30 V DC. The module can be connected directly to a PLC. The connections are made as screw terminals. All outputs are short circuit protected and the operating voltage is protected against reverse polarity.

### Dimensions



all data in mm

### Technical data

<b>Designation</b>	A/D converter 8bit 24V
<b>Order number</b>	08347002500
<b>Operating voltage <math>U_b</math></b>	18 V ... 30 V DC
<b>Input</b>	0 A ... 10 V
<b>Operating temperature</b>	0 °C ... 60 °C
<b>Digital output</b>	24 V, 8-bit, open collector PNP
<b>Max.load current</b>	20 mA
<b>Voltage drop</b>	< 3,5 V at 20mA
<b>Switching voltage</b>	30 V
<b>Digital output TTL</b>	IQH < 2 mA
	IQL < 6 mA
	VQH > 4,5 V at 2 mA
	VQL > 0,3 V at 6 mA
<b>Housing dimensions</b>	113 x 77 x 50
<b>Protection degree</b>	IP 20