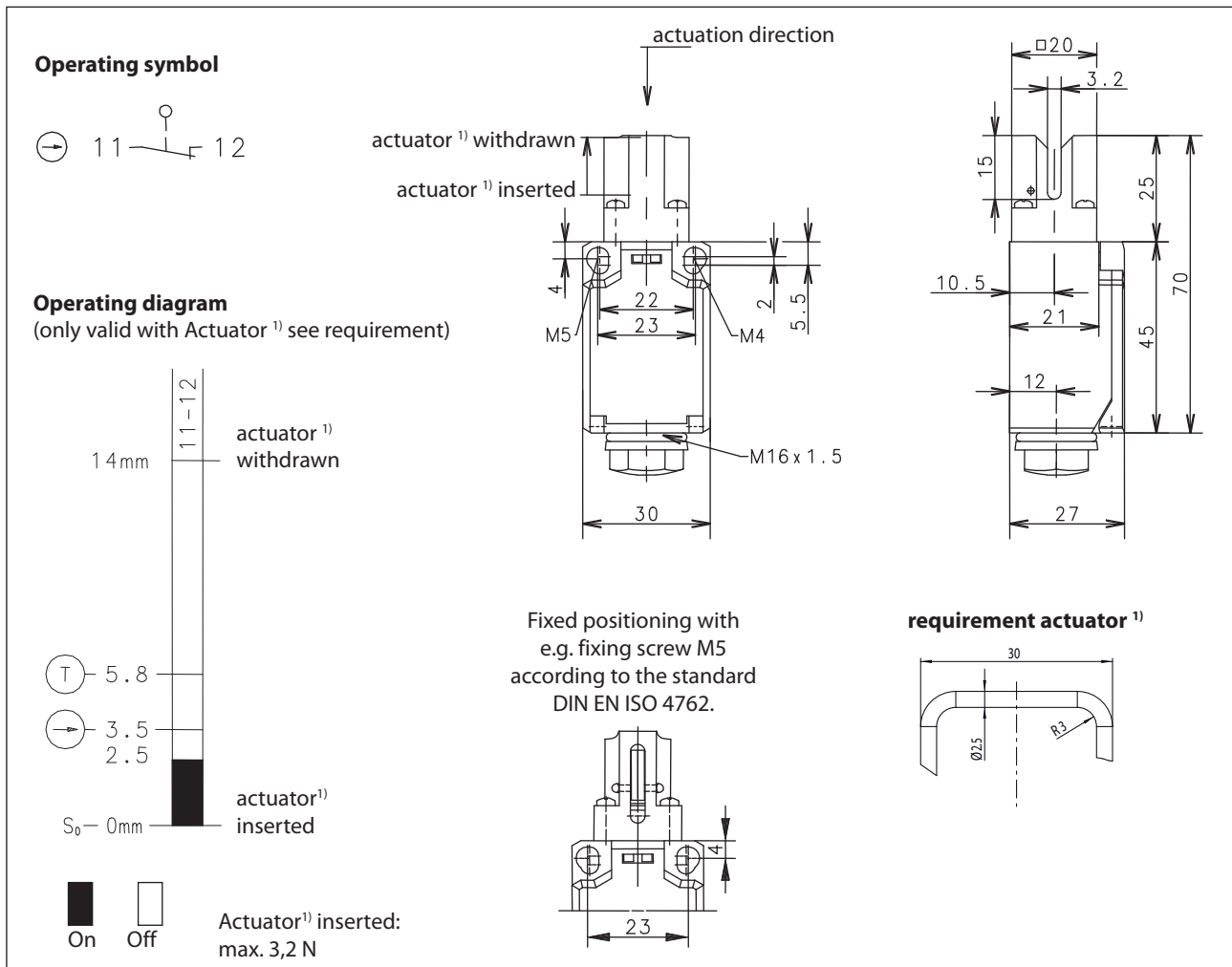


Plastic bodied limit switch Series TI2

Description **TI2-A1Z KS**

Article number **6116469286**



Electrical Data

Rated insulation voltage	U_i	250 V AC
Conv. thermal current	I_{the}	10 A AC / 2,5 A DC
Rated operational voltage	U_e	240 V AC; 250 V DC
Standards		acc. to EN 60947-1; EN 60947-5-1; DIN EN 81
Utilization category		AC-15, U_e/I_e 240 V / 3 A; DC-13, U_e/I_e 250 V / 0,27 A
Direct opening action	\rightarrow	acc. to IEC/EN 60947-5-1, Annex K
Gap between NC-contacts	Ⓢ	DIN EN 81
Short-circuit protective device		Fuse 6 A gG
Protection class		II, totally insulated

Mechanical data	
Enclosure	Thermoplastic, glass fibre reinforced (UL 94-V0)
Cover	Thermoplastic, glass fibre reinforced (UL 94-V0)
Actuator	Separate actuator ¹⁾ (steel 1.4310) Rd EN10278-2,5 h11
Ambient air temperature	-30 °C ... +80 °C
Contact type	1 NC (Y)
Mechanical life	1 x 10 ⁶ operating cycles (applies only to linear starting on page 1)
Switching frequency	≤ 30 / min.
Assembly	2 x M4
Connection	2 screw connections (M3,5)
Conductor cross-sections	Solid: 0,5 ... 1,5 mm ² or Litz wire with ferrules: 0,5 ... 1,5 mm ²
Cable entrance	1 x self-sealing grommet M16 x 1,5 (Cable diameter 5-10 mm)
Weight	≈ 0,05 kg
Installation position	operator definable
Protection type	IP54 acc. to EN 60529; DIN VDE 0470 T1

Standards	
	VDE 0660 T100, DIN EN 60947-1, IEC 60947-1
	VDE 0660 T200, DIN EN 60947-5-1, IEC 60947-5-1
	DIN EN 81

EU Conformity	
	acc. to directive 2014/35/EU (Low-Voltage-Directive)

Approvals	
	CCC

Notes	
The specified protection classification (IP code) applies only when the cover is closed and the appropriate cable is used, in accordance with the clamping range of the above mentioned self-sealing grommet.	
¹⁾ The actuator is not included and must be correspond with the requirement (see page1).	