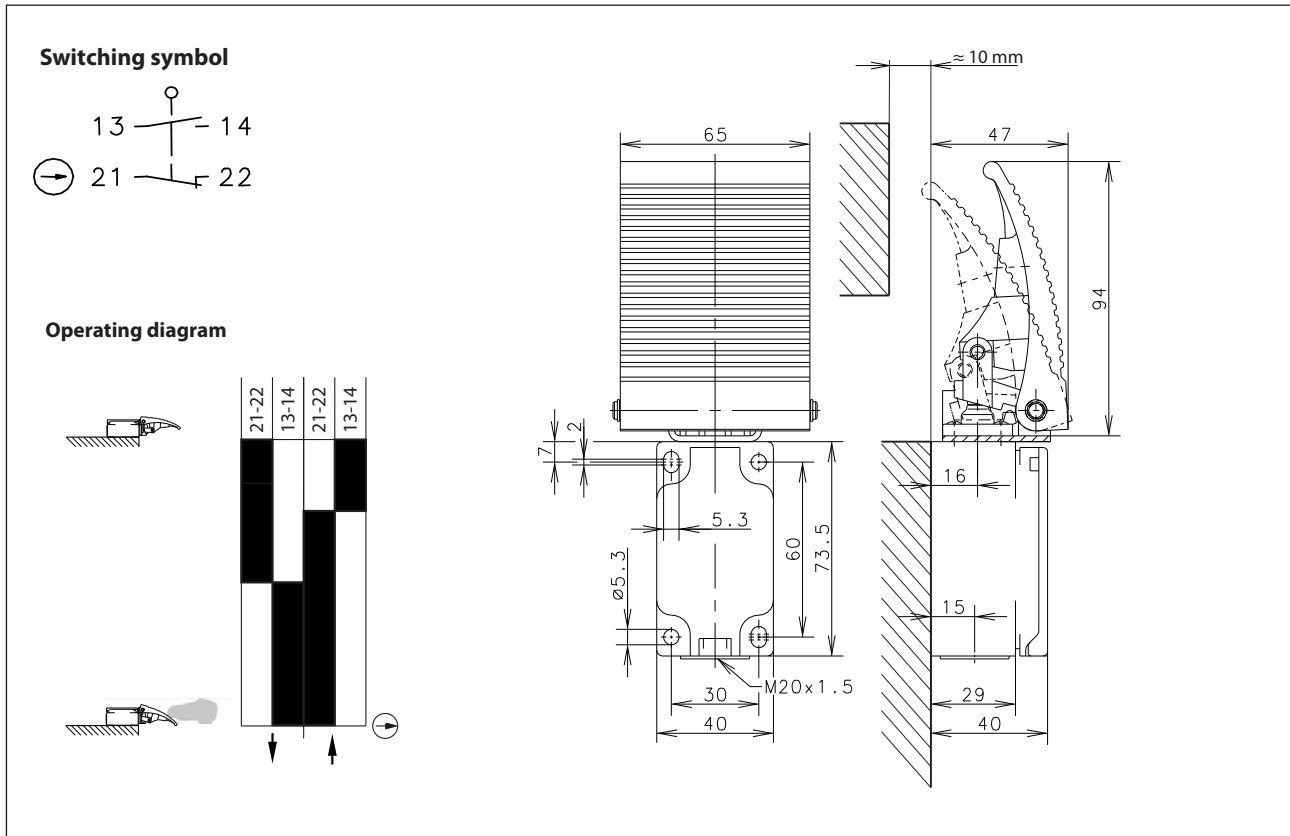


Foot-switch
Series F40

Description **F40-SU1Z**

Article number **6068300557**



Electrical Data

Rated insulation voltage	U_i	400 V
Conv. thermal current	I_{the}	10 A
Rated operational voltage	U_e	240 V
Utilization category		AC-15, U_e / I_e 240 V AC / 3 A
Direct opening action	\rightarrow	acc. to IEC/EN 60947-5-1
Short-circuit protective device		Fuse 2 A gG
Protection class		II, totally insulated

Mechanical data	
Enclosure	Thermoplastic, glass fibre reinforced
Cover	Thermoplastic, glass fibre reinforced
Actuator	Foot lever (PA)
Ambient air temperature	-30 °C to +80 °C
Contact type	1 NC, 1 NO. (Zb)
Mechanical life	10 x 10 ⁶ operating cycles
Switching frequency	max. 100/min
Mounting	4 x M5
Connection	4 screw connections (M3,5)
Conductor cross-sections	Solid: 0,5 ... 1,5 mm ² or Litz wire with ferrules: 0,5 ... 1,5 mm ²
Cable entrance	1 x M20 x 1,5
Weight	≈ 0,28 kg
Protection type	IP65 in accordance with IEC/EN 60529

ID for safety engineering	
B10d	20 x 10 ⁶ cycles

Regulations	
	VDE 0660 T100, DIN EN 60947-1, IEC 60947-1
	VDE 0660 T200, DIN EN 60947-5-1, IEC 60947-5-1
	DIN EN 13849-1

EU Conformity	
	acc. to directive 2014/35/EU (Low-Voltage-Directive)

Notes	
The degree of protection (IP code) specified applies solely to a property closed cover and the use of an equivalent cable gland with adequate cable.	