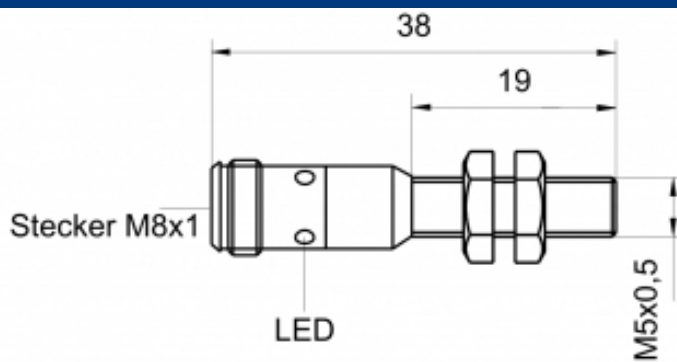




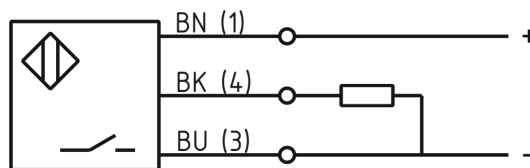
[Article Page](#)

**Product Description**

**inductive sensor DC**



Name	KJ0,8-M5EB38-DPS-V1
Order number	08317802064
Matchcode	9980-2064
Mounting	 shielded
Switch type	 N.O.
Signal Type	DC PNP
Connection	connector M8
Connection diagramm	



Dimension (in mm)	fine-pitch thread M5 x 38
-------------------	---------------------------

**Technical Specification**

Operating voltage	10 - 30 VDC
Max. ripple	≤ 10 %
Voltage drop	2 V
Max. load current	200 mA
No load current	≤ 10 mA
Leakage current	≤ 13 μA
Switching frequency	2000 Hz
Switching hysteresis	≤ 15 %
Operating temperature	-25 ° C to 70 ° C
Temperature drift	≤ 10 %

Repeat accuracy	≤ 5 %
Switching state	LED
Time delay	100 ms
Short-circuit proof	yes
Overload protection	yes
Reverse voltage protection	yes
Protection category	IP67
EMC-level	DIN EN 60947-5-2:2008
Housing material	Stainless steel V2A
Material active face	POM
Utilisation category	DC 13
Contact material	CuSn
Contact surface material	NiAu
Nominal operating voltage	24 V DC
Termination	Connector M8 3pin
FIT / MTTF acc. to SIEMENS 29500	37,37 / 3095y

**Errors and omissions exceptet**